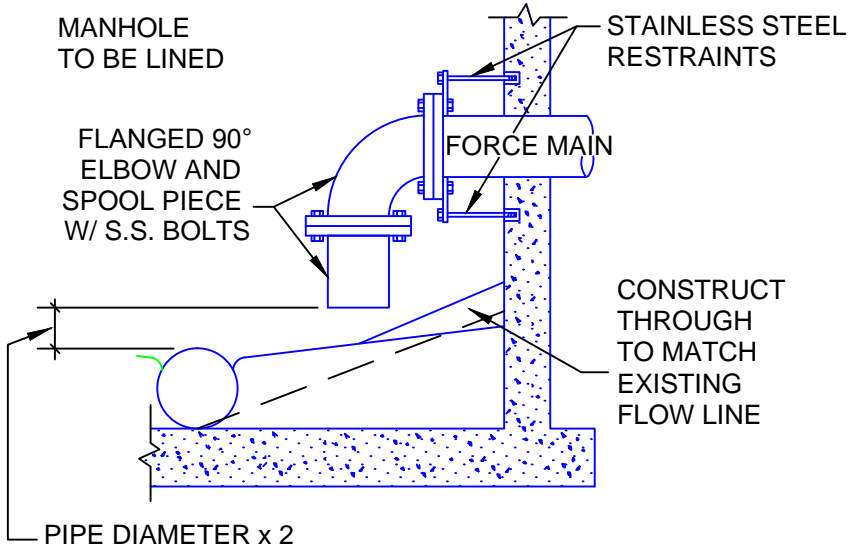
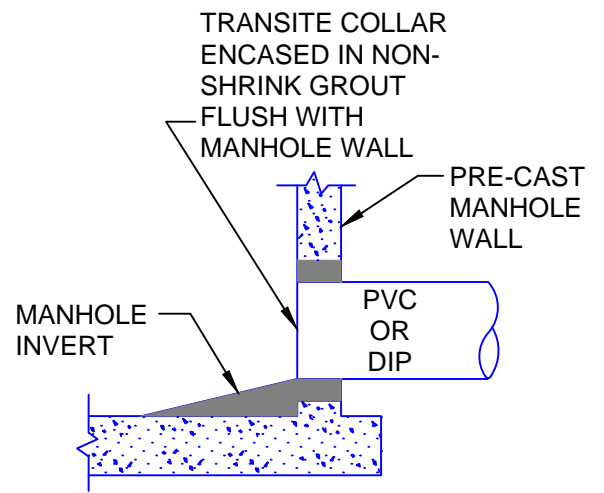


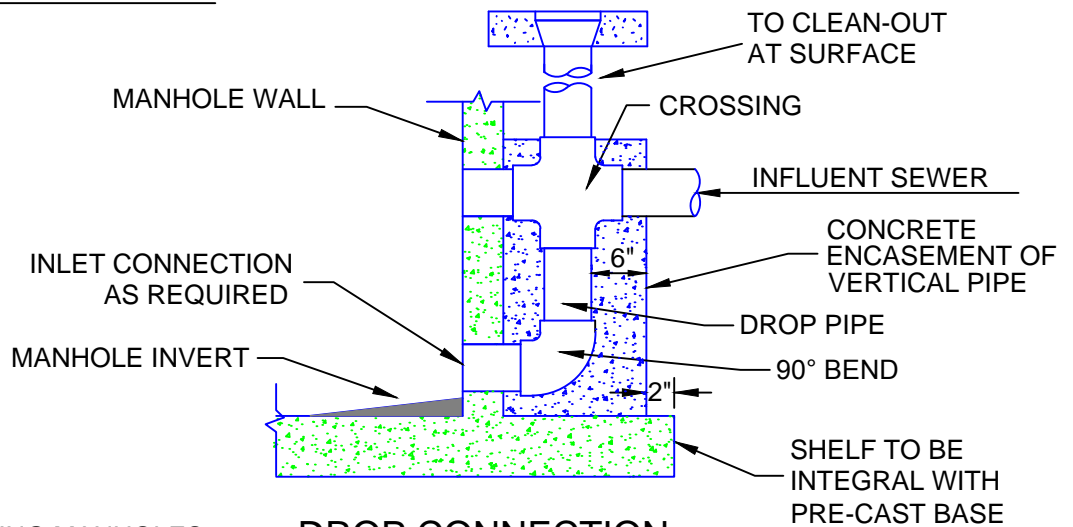
PUBLIC WORKS & UTILITIES ENGINEERING & DESIGN STANDARDS



FORCE MAIN CONNECTION



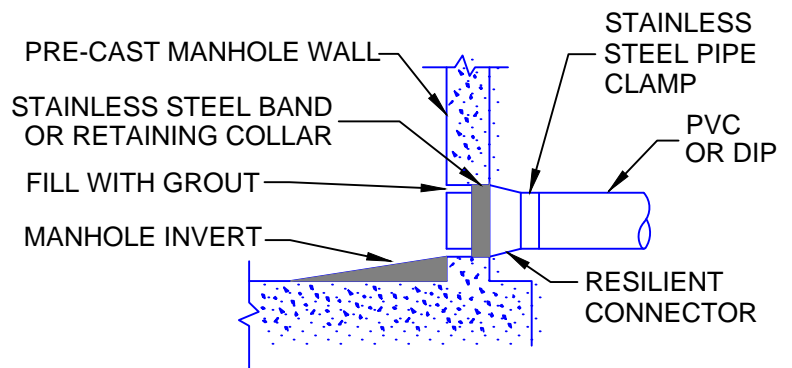
ALTERNATE CONNECTION



DROP CONNECTION

NOTES:

1. PENETRATION TO EXISTING MANHOLES SHALL BE CORE BORED.
2. DROP CONNECTION SHALL BE REQUIRED WHENEVER AN INFLUENT SEWER IS LOCATED TWO FEET OR MORE ABOVE THE MAIN INVERT CHANNEL.
3. ANY MANHOLE WITH PIPES ENTERING AT 45° OR GREATER TO THE FLOW LINE EXTENDED AND/OR WITH A DROP EQUAL TO OR GREATER THAN THE SMALLEST ENTERING PIPE DIAMETER SHALL BE LINED.
4. ANY MANHOLE DIRECTLY RECEIVING A FORCE MAIN MUST BE LINED.
5. LINING SPECIFICATIONS ARE PROVIDED IN THE COATING SECTION OF THE CITY'S APPROVED PRODUCTS LIST.



TYPICAL CONNECTION



TYPICAL MANHOLE CONNECTIONS

SS004-1

ISSUED 2017

REVISED 03/01/2017 BY DJB